

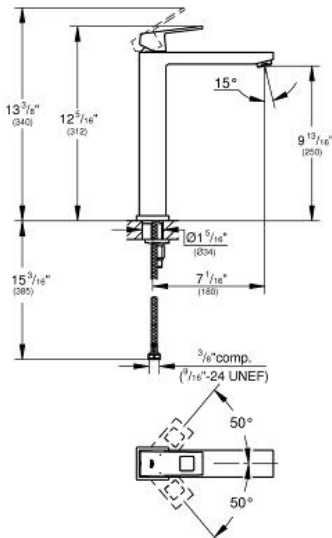
EUROCUBE Single-Hole Single-Handle Vessel Bathroom Faucet XL-Size

MODEL # 23671000

Pure Freude an Wasser



GROHE America, Inc | 200 North Gary Avenue, Suite G, Roselle, IL 60172
Phone: +1 (800) 444-7643 | Fax: +1 (800) 225-2778 | us-customerservice@grohe.com



Product Description:
Single-Hole Single-Handle Vessel Bathroom Faucet XL-Size

Standard Specification:

- Single hole installation
- GROHE SilkMove 28 mm ceramic cartridge
- Metal lever handle
- With temperature limiter
- GROHE StarLight chrome finish
- GROHE EcoJoy
- Smooth body
- Stainless steel flex lines
- GROHE QuickFix installation system

Applicable Codes & Standards:

- Energy Policy Act of 1992
- NSF 61
- ASME A112.18.1/CSA B125.1
- US Federal and State material regulations
- EPA WaterSense®
- ICC/ANSI A117.1

Color:

- 23671000 StarLight Chrome

